

DSP1502

150W Premium Professional Phased Array Column Loudspeaker



Description

The DSP1502 Phased Array Column Loudspeaker utilizes advanced electronic and digital signal processing (DSP) technology to precisely control the main beam radiation direction. Unlike conventional fixed-directivity column speakers, the DSP1502 enables flexible adjustment of the loudspeaker's vertical directivity and radiation angle through an intuitive web-based control interface. Its built-in digital equalizer significantly enhances audio clarity and overall sound quality. Characterized by superior sound reproduction, reliable high performance, and user-friendly operation and installation, it is ideally suited for a wide range of professional sound reinforcement applications.

Features

- Three-directional beam steering capability;
- Active column loudspeaker with integrated digital power amplifier;
- Supports 3 standard line-level audio inputs and 1 dedicated 70V constant-voltage amplifier input (70V $\pm 10V$);
- Onboard volume control and balanced signal processing adjustment;
- Wired and wireless beam directivity modulation control through a web-based controller;

Specifications

Model	DSP1502
Line Input Sensitivity	315mV (Corresponding-10dB)
Constant Voltage Input Sensitivity	70V (± 10) (Corresponding-10dB)
Max. SPL (1m)	110 \pm 2dB
Amplifier Rated Output Power	260W
Amplifier Output Noise (Per Channel)	<1mV
Distortion (Within the frequency range, under normal operating conditions)	<0.5%
Graphic Equalizer Frequency Points	125Hz/200Hz/315Hz/500Hz/800Hz/1.25kHz/1.6kHz/2kHz/2.5kHz/3.15kHz/4kHz/5kHz/6.3kHz/8kHz/10kHz (15 bands in total)
Equalizer Adjustment Amplitude	± 10 dB
Frequency Response:	80-18kHz (± 3 dB)
Horizontal Radiation Angle	>120°
Vertical Radiation Angle	<50°
The Main Beam Adjustable Range (Vertical)	± 45 °
Grid Adaptation Capacity	AC220-240V /50-60Hz
Package Dimension: (L × W ×H)	1735×310×315mm
Dimensions (L × W ×H)	1600×153×155mm
Gross Weight	26kg
Net Weight	22kg

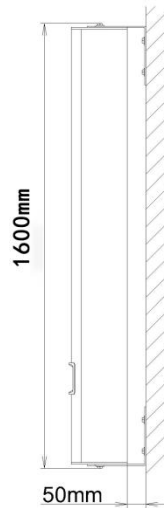
Direction Curve

(1) 30m flat venue, with downward focus length as 6m, 15m, 26.5m and wall mount height 5.5m

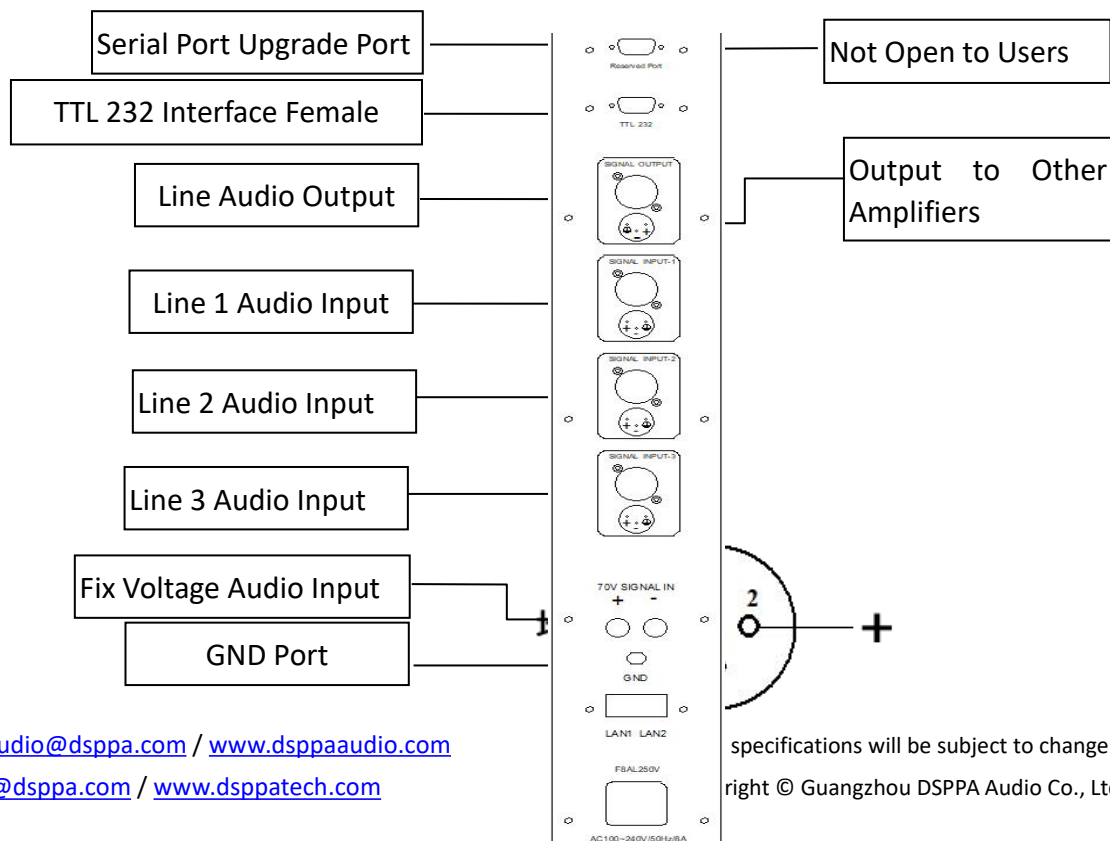


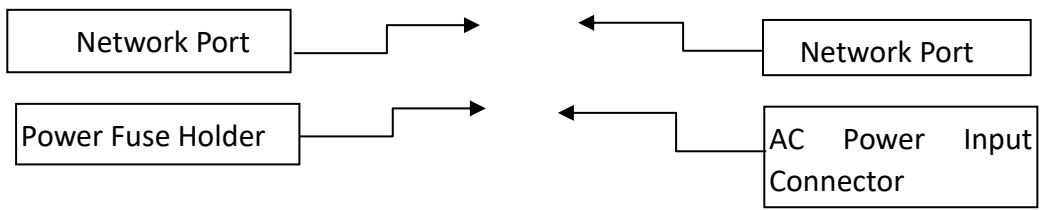
3 SPL distribution map for preset positioning

Installation Diagram



Description of the Back Connectors





Ground