

DW6050

2×30W Wireless Streaming Wall Mount Speaker



Description

The wireless streaming wall mount speaker is a WiFi and Bluetooth stereo amplifier. By integrating it into your existing stereo system, you can stream music from your smart device, USB, NAS, or online streaming services such as Spotify, TIDAL, and Qobuz using our free 4Stream app. Additionally, by connecting multiple units, you can create a wireless multi-room whole house audio system, providing an enhanced and immersive listening experience.

Features

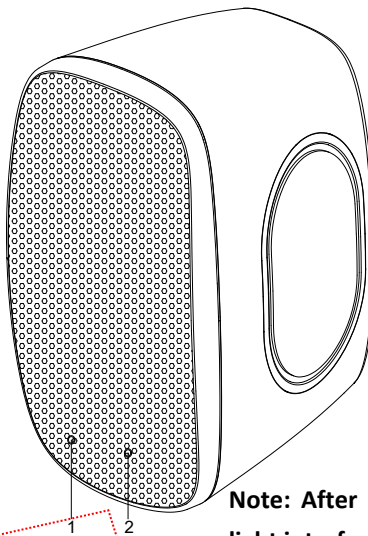
- Built-in WiFi hotspot allows direct connection with mobile devices for source switching and music streaming control via the dedicated app.
- Equipped with a local network port, supporting wired network connections for music streaming via the mobile app or AirPlay/DLNA-enabled music players.
- Features an AUX IN line input for expanding audio sources.
- Built-in USB port enables playback of external USB flash drive audio files via the app.
- Integrated 2×30W digital amplifier with an auxiliary speaker output.
- Streams music via network without distance limitations or Bluetooth 5.0 restrictions, with a range of up to 15 meters.
- Supports streaming protocols including Spotify Connect, AirPlay, QPlay, DLNA, and UPnP.
- Compatible with streaming sources from online services, smart device storage, USB flash drives, NAS, Bluetooth, and line input.

- Multi-room and multi-zone streaming supported across multiple units within the same network.
- Synchronizes all audio sources for playback across different models.
- Compatible with AirPlay, Spotify Connect, QPlay, DLNA, UPnP, and third-party applications.
- Supports high-resolution audio streaming with decoding up to 24-bit, 192kHz.
- Integrates popular online streaming services such as Spotify, Deezer, Tidal, Qobuz, iHeartRadio, TuneIn, and Napster, accessible via the app. Provides free iOS and Android apps.
- Supports free global online firmware updates.
- Comes with a full-function remote control (optional), eliminating the need for a mobile device.
- Allows EQ adjustment via the app or remote control (optional).

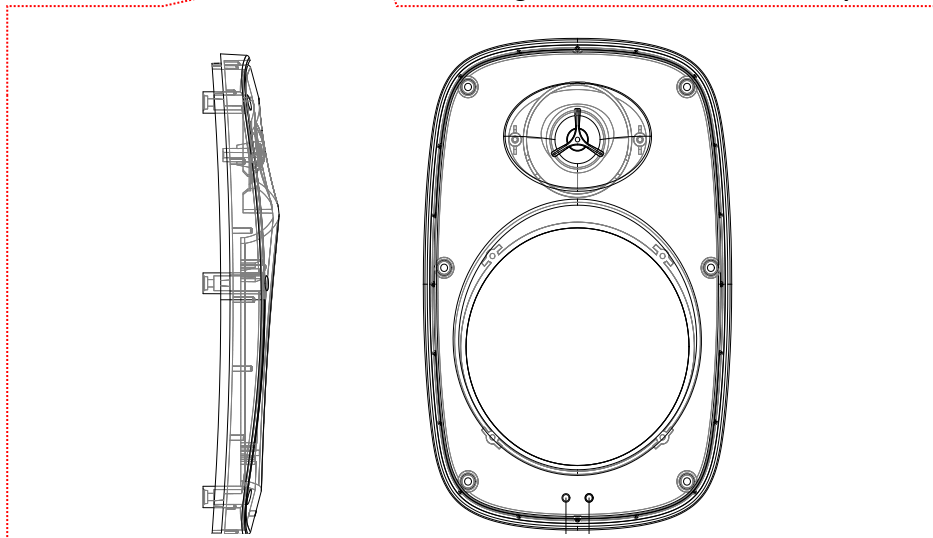
Specifications

Model	DW6050
Max. Output SPL	102±2dB
Frequency Response	20-20kHz
Total Harmonic Distortion	≤1%
Inner Package Dimensions (L×W×H mm)	355×255×345 mm
Outer Package Dimensions (L×W×H mm)	728×270×370mm (2 PCS Per Pack)
Product Size (L×W×H mm)	300×200×233mm
Gross Weight	5.5kg
Net Weight	3.99kg

Front / Rear Panel



Note: After opening the speaker cover, the brightness indicator light interface is located at the position 1, 2 as shown below.



1. Infrared Remote Control Indicator Light

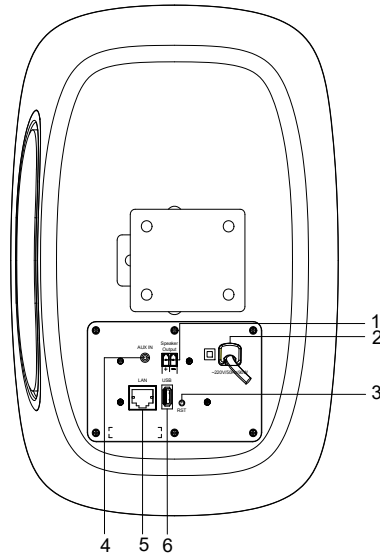
2. Brightness Indicator Light

When the indicator light is blue, it represents Bluetooth mode.

When the indicator light is green, it represents Line-in mode.

When the indicator light is red, it represents USB mode.

When the indicator light is green, it represents NET mode.



1. Built-in Amplifier Output Port (Speaker)

Auxiliary speaker interface, supports connection to an 8Ω/30W speaker.

2. AC200V Power Cable

Supports AC 100-240V input (mains power).

3. Reset Button

Short press once: Switch input mode.

Long press: Power on/off.

Short press twice: Re-pair WiFi or Bluetooth in WiFi or Bluetooth mode.

Short press three times: Restore factory settings.

*When the device is off, just short press the power button to activate the device.

4. Auxiliary Input Interface (AUX IN)

Expands local audio input, supports connection to local DVD players, radio, etc.

5. Network Port

Supports LAN connection.

6. USB Interface

Supports USB flash drive for local playback.